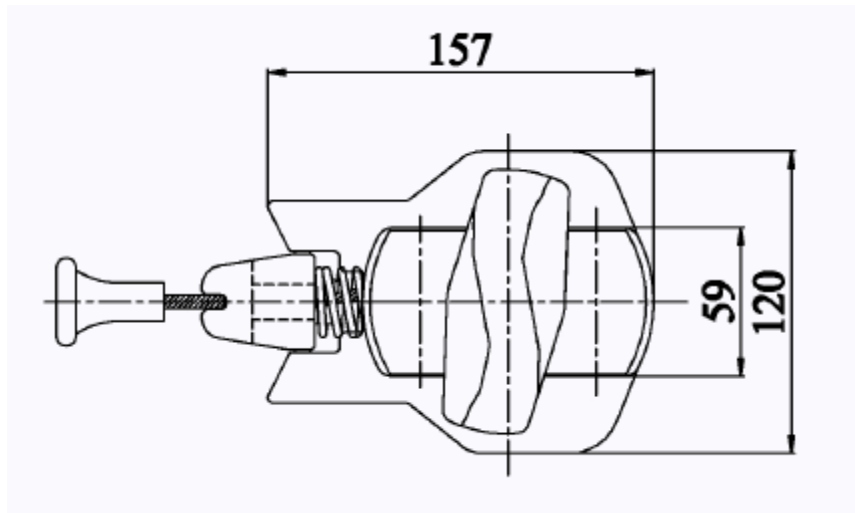
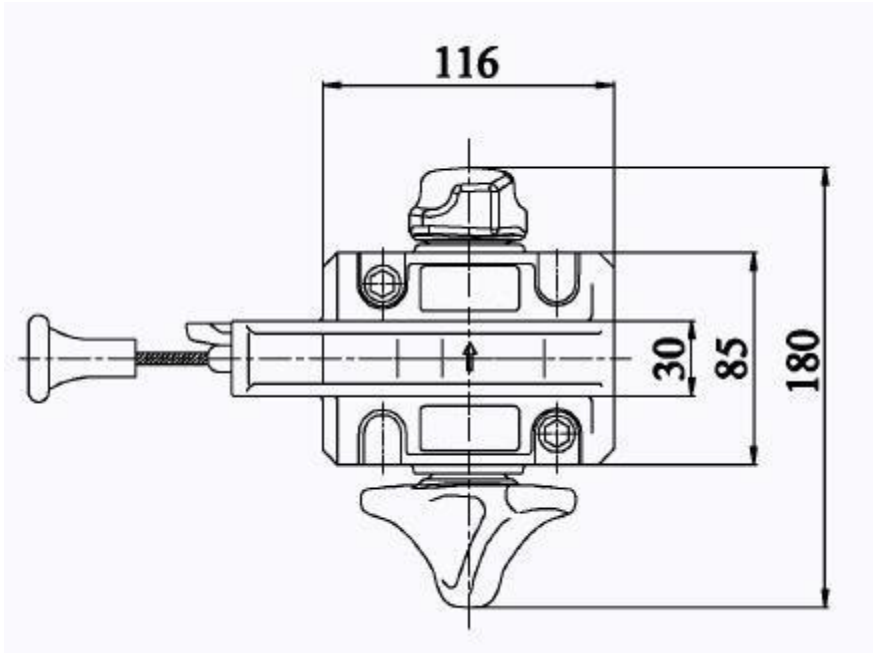


Semi-automatic twist lock



Material:	Forged Steel	M.B.L: Tension:	500KN
Finish:	Hot Dip Galvanized	M.B.L: Shear:	420KN
Weight:	4.90kgs	M.B.L: Compression:	1200KN

